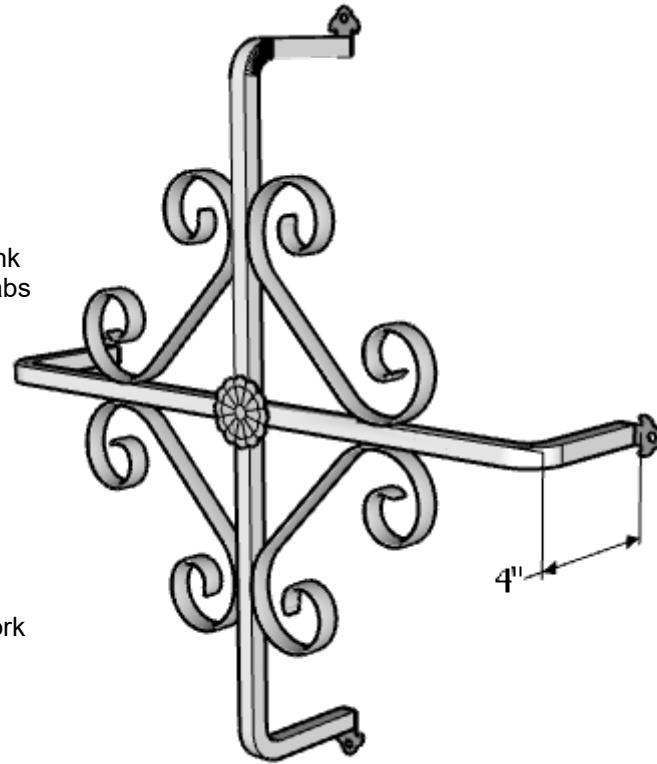
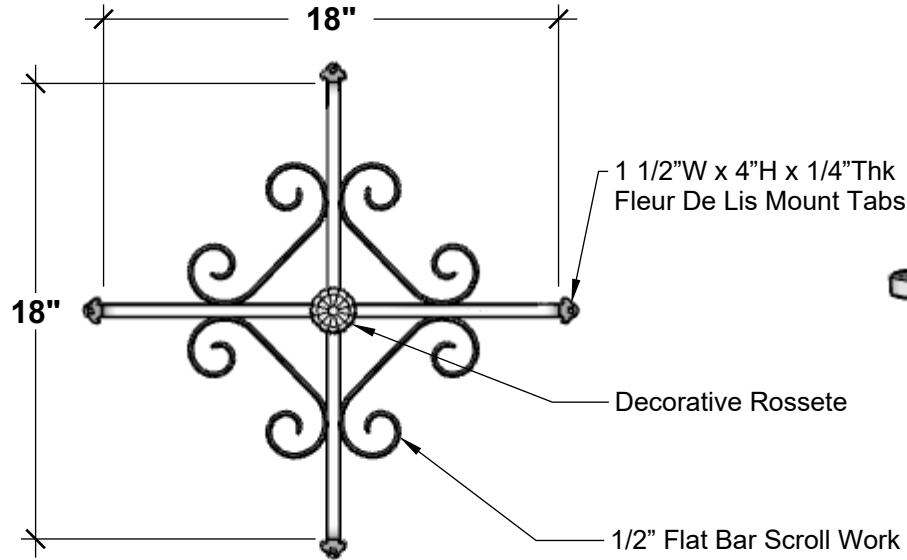


FRONT VIEW

PERSPECTIVE VIEW



| GENERAL NOTES |
|--|
| 1. 5/8" Square Tube Frame 2. 4" Offsets 3. (4) Scrolls, 1/2" Flat Bar 4. (4) Weld Tabs, KM 44-2 5. (1) Decorative Rosette, KM 13- 116-A5 |

HOOKS & LATTICE

A CARLSBAD MANUFACTURING COMPANY

1 (800) 896-0978

HooksandLattice.com

| PRODUCT DESCRIPTION | | | | SKU | | | | PREPARED FOR | | APPROVAL SIGNATURE |
|-----------------------|----------|----------------|--------|-------------------|---------|-----|---------|--------------------------|--|--------------------|
| CARILLO WINDOW GRILL | | | | 810-WG-180418-BLK | | | | | | |
| DIMENSIONS | MATERIAL | COLOR / FINISH | REP | DB | DATE | REV | ORDER # | PROJECT / SIDEMARK / IF# | | APPROVAL DATE |
| 18" x 18" x 4" Offset | STEEL | Black | Cressa | RM | 09/2024 | - | | | | |

PLEASE NOTE: Due to the handmade nature of our products, individual measurements may vary from those listed. The provided dimensions are for reference only

All images are the intellectual property of Hooks and Lattice. Reproduction in any form is strictly prohibitive without the express written permission of Hooks and Lattice. All designs are property of Hooks and Lattice.