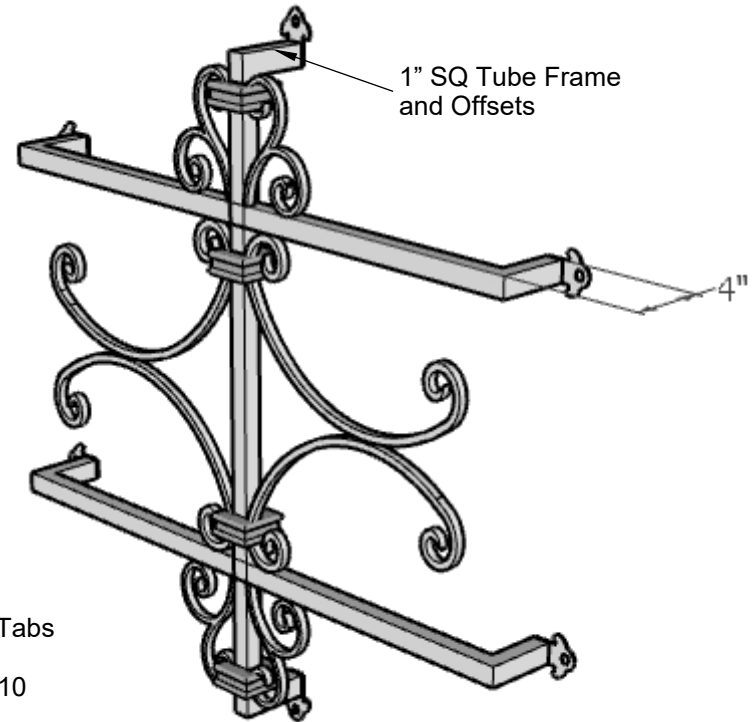
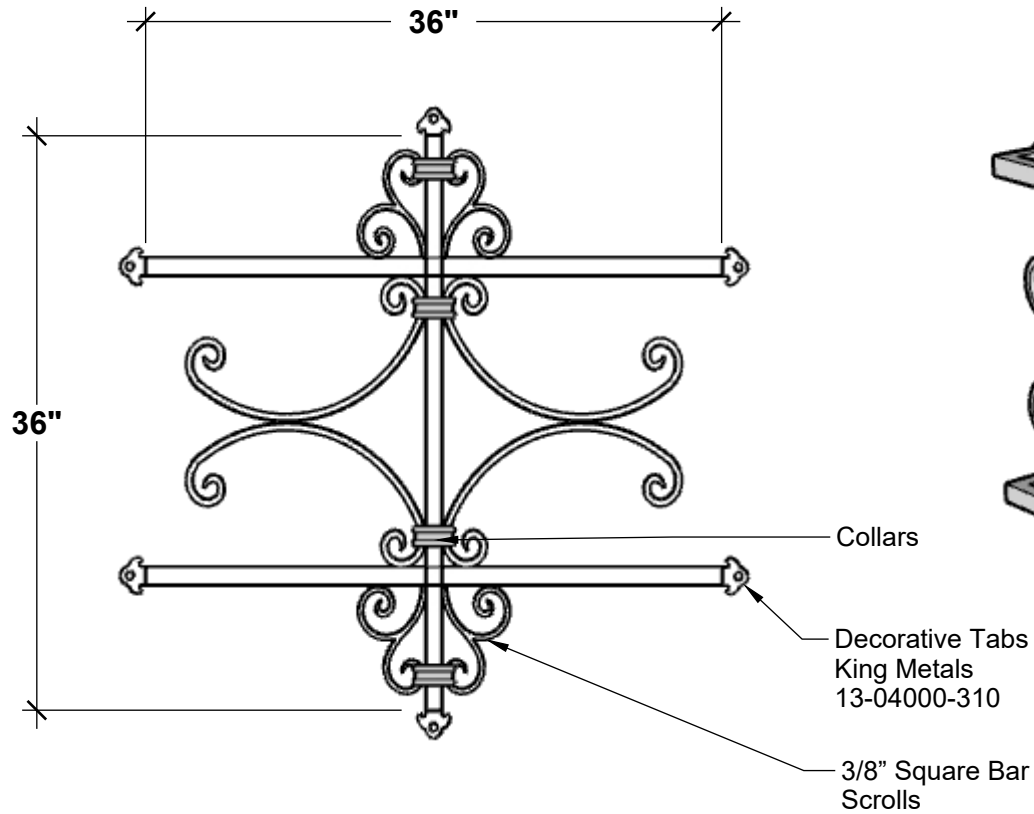


FRONT VIEW

PERSPECTIVE VIEW



GENERAL NOTES

- Components Include:
1. 1 inch Square Tube Frame and Offsets
 2. 3/8 inch Square Bar Scrolls
 3. (4) Collars along Center Connection Points
 4. (6) Decorative Tabs, King Metals 13-04000-310
 5. 4 inch offsets.

HOOKS & LATTICE

A CARLSBAD MANUFACTURING COMPANY

1 (800) 896-0978

HooksandLattice.com

PRODUCT DESCRIPTION				SKU				PREPARED FOR		APPROVAL SIGNATURE
TAMARAK WINDOW GRILL				816-WG-360436-BLK						
DIMENSIONS	MATERIAL	COLOR / FINISH	REP	DB	DATE	REV	ORDER #	PROJECT / SIDEMARK / IF#	APPROVAL DATE	
36" x 36" x 4" Offset	STEEL	Black	Cressa	RM	09/2024	-				

PLEASE NOTE: Due to the handmade nature of our products, individual measurements may vary from those listed. The provided dimensions are for reference only

All images are the intellectual property of Hooks and Lattice. Reproduction in any form is strictly prohibitive without the express written permission of Hooks and Lattice. All designs are property of Hooks and Lattice.