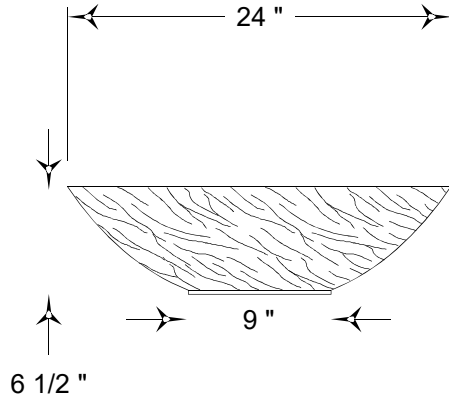
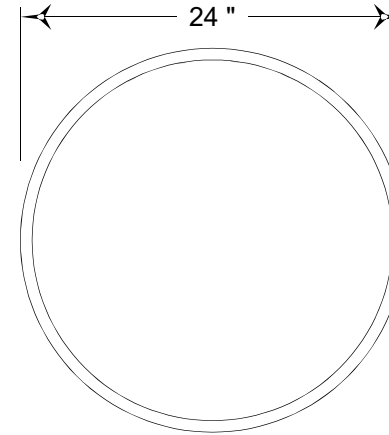


FRONT VIEW



TOP VIEW



GENERAL NOTES	
STANDARD DRAINAGE: YES <input type="checkbox"/>	NO <input checked="" type="checkbox"/>

HOOKS & LATTICE

A CARLSBAD MANUFACTURING COMPANY

1 (800) 896-0978

HooksandLattice.com

PRODUCT DESCRIPTION				SKU				PREPARED FOR		APPROVAL SIGNATURE
Roman Pond Low Bowl				A73-R2406				N/A		
DIMENSIONS	MATERIAL	COLOR / FINISH	REP	DB	DATE	REV	ORDER #	PROJECT / SIDEMARK / IF#	APPROVAL DATE	
24"dia. x 6.5"h	Fiberstone		.	IG	11/21/2024	1		N/A		

PLEASE NOTE: Due to the handmade nature of our products, individual measurements may vary from those listed. The provided dimensions are for reference only

All images are the intellectual property of Hooks and Lattice. Reproduction in any form is strictly prohibitive without the express written permission of Hooks and Lattice. All designs are property of Hooks and Lattice.