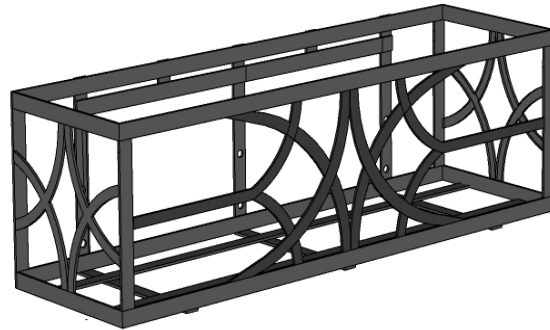
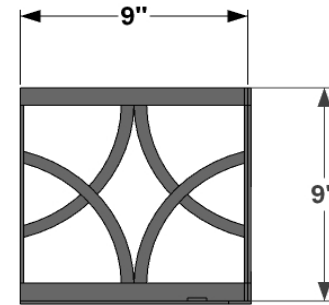


PERSPECTIVE VIEW

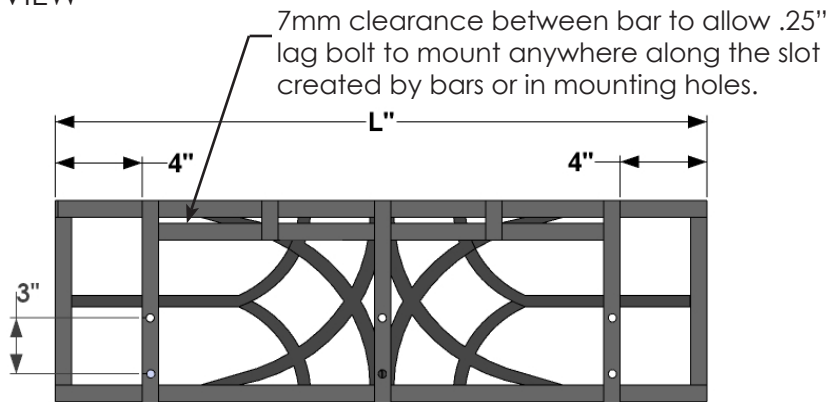


SIDE VIEW



SIZE	L= Actual Dimensions for Liner Fitment
24"	25"L x 9"W by 9" H
30"	31"L x 9"W by 9" H
36"	37"L x 9"W by 9" H
42"	43"L x 9"W by 9" H

BACK VIEW



**GENERAL NOTES**

1. Design Fabricated with 1/2" x 0.875" flat bar
2. Cage Frame and supports fabricated with 3/4" x 0.875" flat bar
3. Mounting Holes: 0.28" DIA (7mm)



**HOOKS & LATTICE**

6056 Corte Del Cedro, Carlsbad CA 92011  
 1-888-320-0626/service@plantersunlimited.com  
 www.plantersunlimited.com

PRODUCT DESCRIPTION		SKU				ORDER NUMBER	CUSTOMER SIGNATURE
Falling Water Window Box Cage		543C-Small					
DIMENSIONS	COLOR	FINISH	REP:	DB:	DATE		
	Black	Powder Coated					

